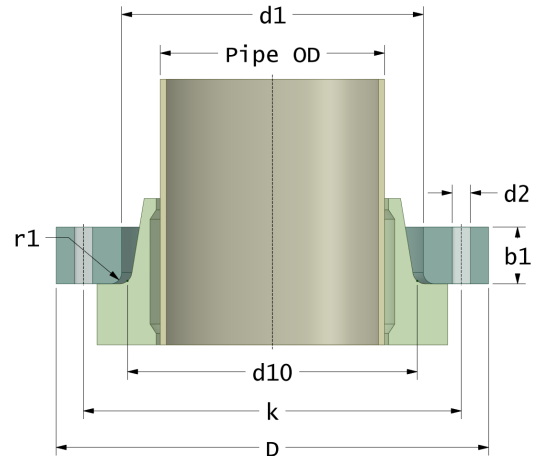
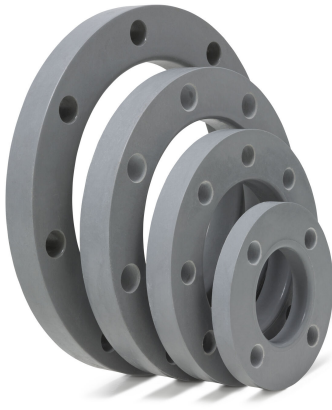


Backing Rings for GRP Pipes

Drilling Standard: AS 2129 Table D



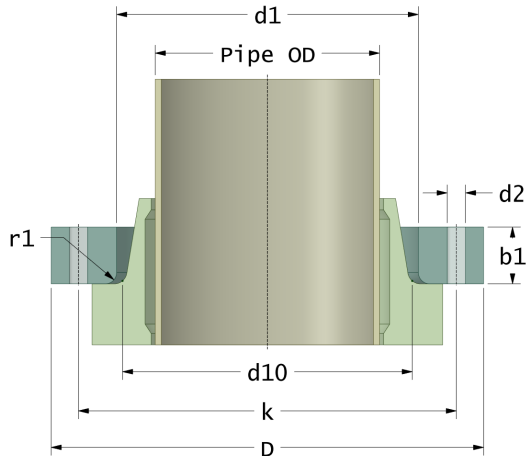
#	DN (mm)	Pmax (bar)	D (mm)	d1 (mm)	d10 (mm)	r1 (mm)	k (mm)	Holes (no.)	d2 (mm)	b1 (mm)	Article Number
1	150	10	285	189	186	5	235	8	18	30	BR-150-189-10/AS-D
2	150	16	285	189	186	5	235	8	18	38	BR-150-189-16/AS-D
3	200	10	350	238	237	5	292	8	18	32	BR-200-238-10/AS-D
4	200	16	350	238	237	5	292	8	18	40	BR-200-238-16/AS-D
5	250	10	410	294	293	5	356	8	22	34	BR-250-294-10/AS-D
6	250	16	410	294	293	5	356	8	22	42	BR-250-294-16/AS-D
7	300	10	460	350	348	5	406	12	22	37	BR-300-350-10/AS-D
8	300	16	460	350	348	5	406	12	22	47	BR-300-350-16/AS-D
9	350	10	540	402	400	6	470	12	26	42	BR-350-402-10/AS-D
10	350	16	540	402	400	6	470	12	26	53	BR-350-402-16/AS-D
11	400	10	600	455	453	6	521	12	26	47	BR-400-455-10/AS-D
12	400	16	600	455	453	6	521	12	26	58	BR-400-455-16/AS-D
13	450	10	644	508	506	6	584	12	26	53	BR-450-508-10/AS-D
14	450	16	644	508	506	6	584	12	26	67	BR-450-508-16/AS-D
15	500	10	720	565	558	8	641	16	26	57	BR-500-565-10/AS-D
16	500	16	720	565	558	8	641	16	26	72	BR-500-565-16/AS-D

Disclaimer

Whilst every care is taken to ensure that the information on this website is complete and accurate, the Rotec Composite Group BV cannot accept responsibility for any omissions or inaccuracies or for any consequences arising therefrom. By using this website, the user accepts the terms of this disclaimer.

Backing Rings for GRP Pipes

Drilling Standard: AS 2129 Table D



#	DN (mm)	Pmax (bar)	D (mm)	d1 (mm)	d10 (mm)	r1 (mm)	k (mm)	Holes (no.)	d2 (mm)	b1 (mm)	Article Number
17	700	10	910	762	758	7	845	20	30	64	BR-700-762-10/AS-D
18	700	16	910	762	758	7	845	20	30	82	BR-700-762-16/AS-D
19	800	10	1085	854	850	13	984	20	36	70	BR-800-854-10/AS-D
20	800	16	1085	854	850	13	984	20	36	88	BR-800-854-16/AS-D
21	900	10	1190	956	952	13	1092	24	36	87	BR-900-956-10/AS-D
22	900	16	1190	956	952	13	1092	24	36	110	BR-900-956-16/AS-D
23	1000	10	1265	1064	1060	13	1175	24	36	90	BR-1000-1064-10/AS-D
24	1000	16	1265	1064	1060	13	1175	24	36	131	BR-1000-1064-16/AS-D
25	1200	10	1520	1282	1278	11	1410	32	36	100	BR-1200-1282-10/AS-D
26	1200	16	1520	1282	1278	11	1410	32	36	152	BR-1200-1282-16/AS-D

Disclaimer

Whilst every care is taken to ensure that the information on this website is complete and accurate, the Rotec Composite Group BV cannot accept responsibility for any omissions or inaccuracies or for any consequences arising therefrom. By using this website, the user accepts the terms of this disclaimer.