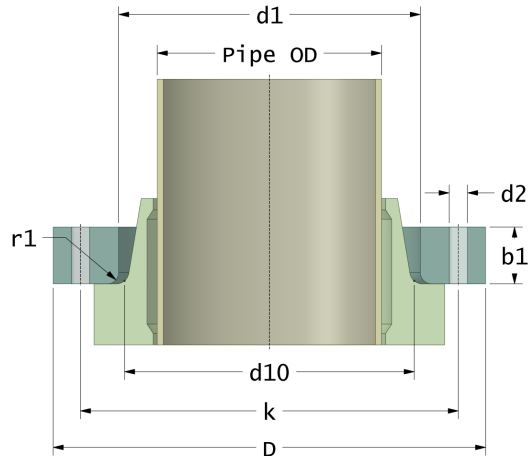


Backing Rings for GRP Pipes

Drilling Standard: ANSI B16.5 Class 150



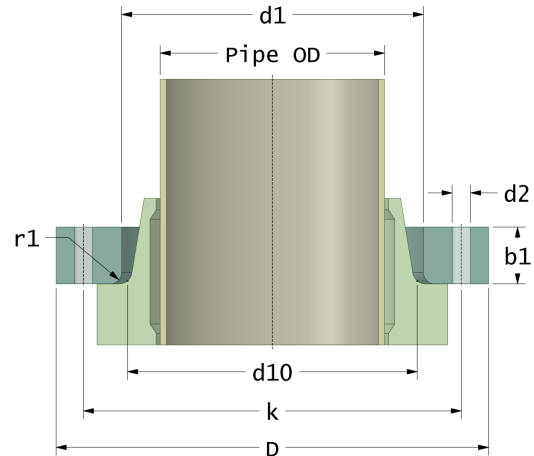
#	DN (mm)	Pmax (bar)	D (mm)	d1 (mm)	d10 (mm)	r1 (mm)	k (mm)	Holes (no.)	d2 (mm)	b1 (mm)	Article Number
1	150	10	285	189	186	5	241	8	22	30	BR-150-189-10/150
2	150	16	285	189	186	5	241	8	22	38	BR-150-189-16/150
3	200	10	350	238	237	5	299	8	22	32	BR-200-238-10/150
4	200	16	350	238	237	5	299	8	22	40	BR-200-238-16/150
5	250	10	410	294	293	5	362	12	25	34	BR-250-294-10/150
6	250	16	410	294	293	5	362	12	25	42	BR-250-294-16/150
7	300	10	490	359	353	6	432	12	25	37	BR-300-359-10/150
8	300	16	490	359	353	6	432	12	25	47	BR-300-359-16/150
9	350	10	540	402	400	6	476	12	29	42	BR-350-402-10/150
10	350	16	540	402	400	6	476	12	29	53	BR-350-402-16/150
11	400	10	600	455	453	6	540	16	29	47	BR-400-455-10/150
12	400	16	600	455	453	6	540	16	29	58	BR-400-455-16/150
13	450	10	644	508	506	6	578	16	32	53	BR-450-508-10/150
14	450	16	644	508	506	6	578	16	32	67	BR-450-508-16/150
15	500	3	720	565	558	8	635	20	32	35	BR-500-565-03/150
16	500	10	720	565	558	8	635	20	32	57	BR-500-565-10/150

Disclaimer

Whilst every care is taken to ensure that the information on this website is complete and accurate, the Rotec Composite Group BV cannot accept responsibility for any omissions or inaccuracies or for any consequences arising therefrom. By using this website, the user accepts the terms of this disclaimer.

Backing Rings for GRP Pipes

Drilling Standard: ANSI B16.5 Class 150



#	DN (mm)	Pmax (bar)	D (mm)	d1 (mm)	d10 (mm)	r1 (mm)	k (mm)	Holes (no.)	d2 (mm)	b1 (mm)	Article Number
17	500	16	720	565	558	8	635	20	32	72	BR-500-565-16/150
18	600	3	844	653	649	9	749	20	35	34	BR-600-653-3/150
19	600	10	844	653	649	9	749	20	35	62	BR-600-653-10/150
20	600	16	844	653	649	9	749	20	35	78	BR-600-653-16/150
21	630	3	844	668	649	8	749	20	35	34	BR-630-668-03/150
22	630	10	844	668	649	8	749	20	35	62	BR-630-668-10/150
23	630	16	844	668	649	8	749	20	35	78	BR-630-668-16/150

Disclaimer

Whilst every care is taken to ensure that the information on this website is complete and accurate, the Rotec Composite Group BV cannot accept responsibility for any omissions or inaccuracies or for any consequences arising therefrom. By using this website, the user accepts the terms of this disclaimer.

23-08-2023