

## Backing Rings for GRP Pipes

Drilling Standard: ANSI B16.47 Class 150



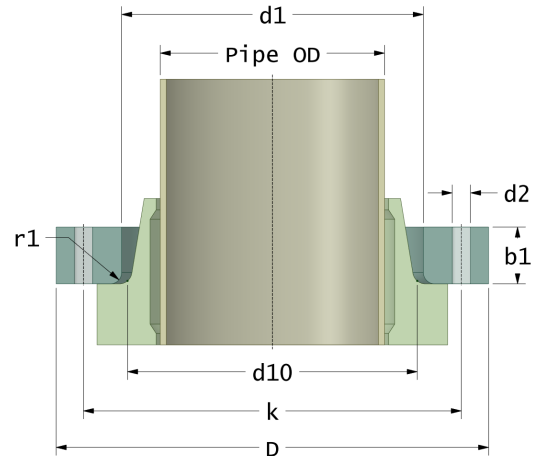
#	DN (mm)	Pmax (bar)	D (mm)	d1 (mm)	d10 (mm)	r1 (mm)	k (mm)	Holes (no.)	d2 (mm)	b1 (mm)	Article Number
1	700	3	930	762	758	7	864	28	35	36	BR-700-762-3/150
2	700	10	930	762	758	7	864	28	35	64	BR-700-762-10/150
3	700	16	930	762	758	7	864	28	35	82	BR-700-762-16/150
4	800	3	1085	854	850	13	978	28	41	38	BR-800-854-3/150
5	800	10	1085	854	850	13	978	28	41	70	BR-800-854-10/150
6	800	16	1085	854	850	13	978	28	41	88	BR-800-854-16/150
7	900	3	1190	956	952	13	1086	32	41	40	BR-900-956-3/150
8	900	6	1190	956	952	13	1086	32	41	62	BR-900-956-6/150
9	900	10	1190	956	952	13	1086	32	41	87	BR-900-956-10/150
10	900	16	1190	956	952	13	1086	32	41	110	BR-900-956-16/150
11	1000	3	1320	1064	1060	13	1200	36	41	45	BR-1000-1064-3/150
12	1000	6	1320	1064	1060	13	1200	36	41	65	BR-1000-1064-6/150
13	1000	10	1320	1064	1060	13	1200	36	41	90	BR-1000-1064-10/150
14	1000	16	1320	1064	1060	13	1200	36	41	131	BR-1000-1064-16/150
15	1100	3	1430	1168	1158	9	1314	40	41	60	BR-1100-1168-3/150
16	1100	3	1430	1198	1188	9	1314	40	41	60	BR-1100-1198-03/150

### Disclaimer

Whilst every care is taken to ensure that the information on this website is complete and accurate, the Rotec Composite Group BV cannot accept responsibility for any omissions or inaccuracies or for any consequences arising therefrom. By using this website, the user accepts the terms of this disclaimer.

## Backing Rings for GRP Pipes

Drilling Standard: ANSI B16.47 Class 150



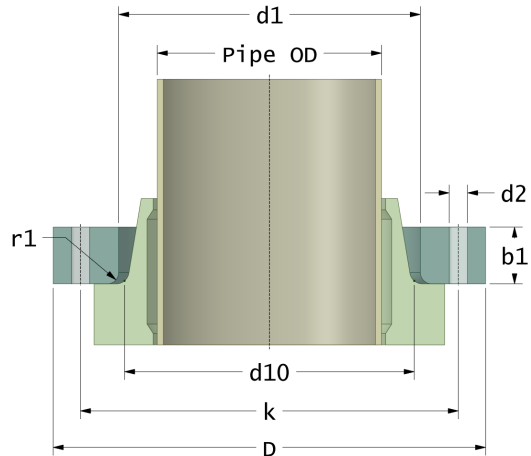
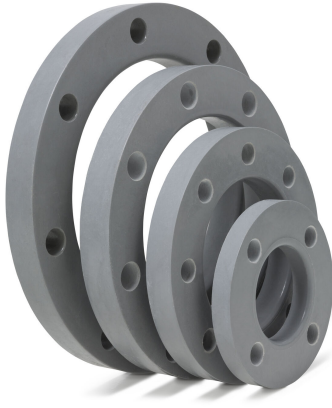
#	DN (mm)	Pmax (bar)	D (mm)	d1 (mm)	d10 (mm)	r1 (mm)	k (mm)	Holes (no.)	d2 (mm)	b1 (mm)	Article Number
17	1100	6	1430	1168	1158	9	1314	40	41	84	BR-1100-1168-6/150
18	1100	6	1430	1198	1188	9	1314	40	41	84	BR-1100-1198-06/150
19	1100	10	1430	1168	1158	9	1314	40	41	109	BR-1100-1168-10/150
20	1100	10	1430	1198	1188	9	1314	40	41	117	BR-1100-1198-10/150
21	1100	16	1430	1168	1158	9	1314	40	41	137	BR-1100-1168-16/150
22	1100	16	1430	1198	1188	9	1314	40	41	140	BR-1100-1198-16/150
23	1200	10	1520	1282	1278	11	1422	44	41	100	BR-1200-1282-10/150
24	1200	16	1520	1282	1278	11	1422	44	41	152	BR-1200-1282-16/150
25	1300	3	1640	1412	1402	10	1537	44	48	74	BR-1300-1412-03/150
26	1300	6	1640	1412	1402	10	1537	44	48	105	BR-1300-1412-06/150
27	1300	10	1640	1412	1402	10	1537	44	48	136	BR-1300-1412-10/150
28	1300	16	1640	1412	1402	10	1537	44	48	165	BR-1300-1412-16/150
29	1400	3	1760	1516	1508	11	1651	48	48	60	BR-1400-1516-03/150
30	1400	6	1760	1516	1508	11	1651	48	48	90	BR-1400-1516-06/150
31	1400	10	1760	1516	1508	11	1651	48	48	105	BR-1400-1516-10/150
32	1400	16	1760	1516	1508	11	1651	48	48	178	BR-1400-1516-16/150
33	1500	3	1870	1624	1614	12	1759	52	48	80	BR-1500-1624-03/150

### Disclaimer

Whilst every care is taken to ensure that the information on this website is complete and accurate, the Rotec Composite Group BV cannot accept responsibility for any omissions or inaccuracies or for any consequences arising therefrom. By using this website, the user accepts the terms of this disclaimer.

## Backing Rings for GRP Pipes

Drilling Standard: ANSI B16.47 Class 150



#	DN (mm)	Pmax (bar)	D (mm)	d1 (mm)	d10 (mm)	r1 (mm)	k (mm)	Holes (no.)	d2 (mm)	b1 (mm)	Article Number
34	1500	6	1870	1624	1614	12	1759	52	48	115	BR-1500-1624-06/150
35	1500	10	1870	1624	1614	12	1759	52	48	145	BR-1500-1624-10/150
36	1500	16	1870	1624	1614	12	1759	52	48	186	BR-1500-1624-16/150

### Disclaimer

Whilst every care is taken to ensure that the information on this website is complete and accurate, the Rotec Composite Group BV cannot accept responsibility for any omissions or inaccuracies or for any consequences arising therefrom. By using this website, the user accepts the terms of this disclaimer.

23-08-2023