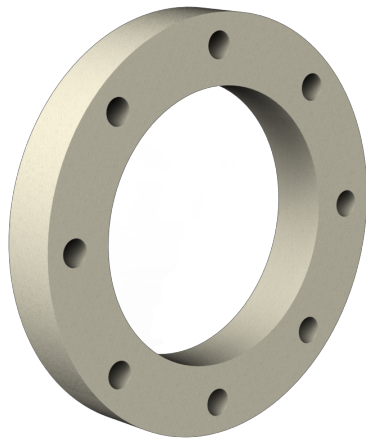


Backing Rings by Hot Pressing

Drilling Standard: EN1092 PN10, Pipe Type: PE/PP



#	DN (mm)	Pmax (bar)	Pipe OD (mm)	D (mm)	d1 (mm)	d10 (mm)	r1 (mm)	k (mm)	Holes (no.)	d2 (mm)	b1 (mm)	Article Number
1	15	16	15	98	23	22	3	65	4	14	15	BRP-15-23-16/16
2	15	16	20	98	28	27	3	65	4	14	15	BRP-15-28-16/16
3	15	16	20	98	32	31	3	65	4	14	15	BRP-15-32-16/16
4	20	16	20	116	28	27	3	75	4	14	15	BRP-20-28-16/16
5	20	16	25	116	34	33	3	75	4	14	15	BRP-20-34-16/16
6	20	16	25	116	38	37	3	75	4	14	15	BRP-20-38-16/16
7	25	16	25	116	34	33	3	85	4	14	15	BRP-25-34-16/16
8	25	16	32	116	42	40	3	85	4	14	15	BRP-25-42-16/16
9	25	16	32	116	48	46	3	85	4	14	15	BRP-25-48-16/16
10	32	16	32	140	42	40	3	100	4	18	16	BRP-32-42-16/16
11	32	16	32	140	48	46	3	100	4	18	16	BRP-32-48-16/16
12	32	16	40	140	51	50	3	100	4	18	16	BRP-32-51-16/16
13	32	16	40	140	55	54	3	100	4	18	16	BRP-32-55-16/16
14	40	16	40	154	51	50	3	110	4	18	18	BRP-40-51-16/16
15	40	16	40	154	55	54	3	110	4	18	18	BRP-40-55-16/16
16	40	16	50	154	62	61	3	110	4	18	18	BRP-40-62-16/16

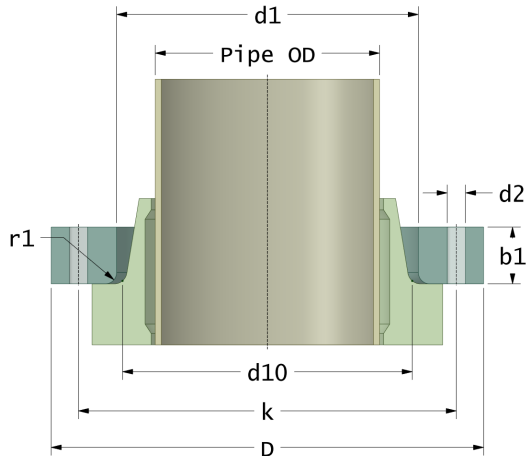
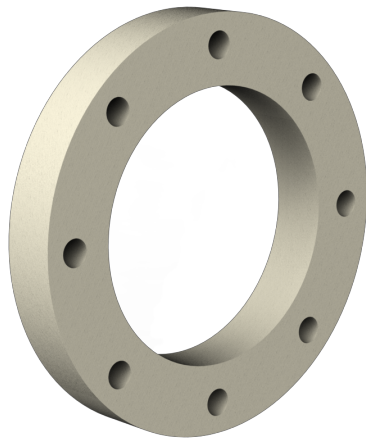
Disclaimer

Whilst every care is taken to ensure that the information on this website is complete and accurate, the Rotec Composite Group BV cannot accept responsibility for any omissions or inaccuracies or for any consequences arising therefrom. By using this website, the user accepts the terms of this disclaimer.

23-08-2023

Backing Rings by Hot Pressing

Drilling Standard: EN1092 PN10, Pipe Type: PE/PP



#	DN (mm)	Pmax (bar)	Pipe OD (mm)	D (mm)	d1 (mm)	d10 (mm)	r1 (mm)	k (mm)	Holes (no.)	d2 (mm)	b1 (mm)	Article Number
17	40	16	50	154	66	65	3	110	4	18	18	BRP-40-66-16/16
18	50	16	50	164	62	61	4	125	4	18	18	BRP-50-62-16/16
19	50	16	63	164	69	68	4	125	4	18	18	BRP-50-69-16/16
20	50	16	63	164	78	75	4	125	4	18	18	BRP-50-78-16/16
21	65	16	63	184	78	75	4	145	4	18	20	BRP-65-78-16/16
22	65	16	75	184	82	79	4	145	4	18	20	BRP-65-82-16/16
23	65	16	75	184	92	89	4	145	4	18	20	BRP-65-92-16/16
24	80	10	75	200	92	89	4	160	8	18	23	BRP-80-92-10/16
25	80	16	75	200	92	89	4	160	8	18	28	BRP-80-92-16/16
26	80	10	75	200	97	94	4	160	8	18	23	BRP-80-97-10/16
27	80	16	75	200	97	94	4	160	8	18	28	BRP-80-97-16/16
28	80	10	90	200	108	105	4	160	8	18	23	BRP-80-108-10/16
29	80	16	90	200	108	105	4	160	8	18	28	BRP-80-108-16/16
30	100	10	90	228	108	105	5	180	8	18	25	BRP-100-108-10/16
31	100	16	90	228	108	105	5	180	8	18	30	BRP-100-108-16/16
32	100	10	110	228	124	122	5	180	8	18	25	BRP-100-124-10/16
33	100	16	110	228	124	122	5	180	8	18	30	BRP-100-124-16/16

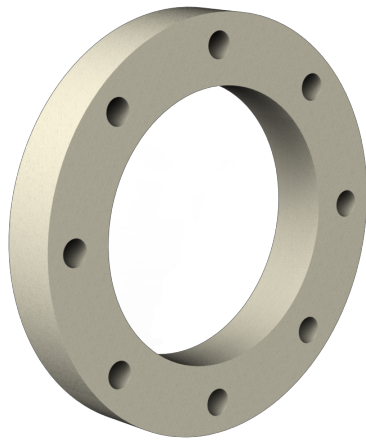
Disclaimer

Whilst every care is taken to ensure that the information on this website is complete and accurate, the Rotec Composite Group BV cannot accept responsibility for any omissions or inaccuracies or for any consequences arising therefrom. By using this website, the user accepts the terms of this disclaimer.

23-08-2023

Backing Rings by Hot Pressing

Drilling Standard: EN1092 PN10, Pipe Type: PE/PP



#	DN (mm)	Pmax (bar)	Pipe OD (mm)	D (mm)	d1 (mm)	d10 (mm)	r1 (mm)	k (mm)	Holes (no.)	d2 (mm)	b1 (mm)	Article Number
34	100	10	110	228	128	125	5	180	8	18	25	BRP-100-128-10/16
35	100	16	110	228	128	125	5	180	8	18	30	BRP-100-128-16/16
36	100	10	125	228	134	132	5	180	8	18	25	BRP-100-134-10/16
37	100	16	125	228	134	132	5	180	8	18	30	BRP-100-134-16/16
38	125	10	110	254	124	122	5	210	8	18	28	BRP-125-124-10/16
39	125	16	110	254	124	122	5	210	8	18	34	BRP-125-124-16/16
40	125	10	125	254	134	132	5	210	8	18	28	BRP-125-134-10/16
41	125	16	125	254	134	132	5	210	8	18	34	BRP-125-134-16/16
42	125	10	140	254	158	155	5	210	8	18	28	BRP-125-158-10/16
43	125	16	140	254	158	155	5	210	8	18	34	BRP-125-158-16/16
44	150	10	140	284	158	155	5	240	8	22	34	BRP-150-158-10/16
45	150	16	140	284	158	155	5	240	8	22	40	BRP-150-158-16/16
46	150	10	160	284	178	175	5	240	8	22	34	BRP-150-178-10/16
47	150	16	160	284	178	175	5	240	8	22	40	BRP-150-178-16/16
48	150	10	180	284	189	185	5	240	8	22	34	BRP-150-189-10/16
49	150	16	180	284	189	185	5	240	8	22	40	BRP-150-189-16/16
50	200	6	200	342	235	232	6	295	8	22	35	BRP-200-235-06/10

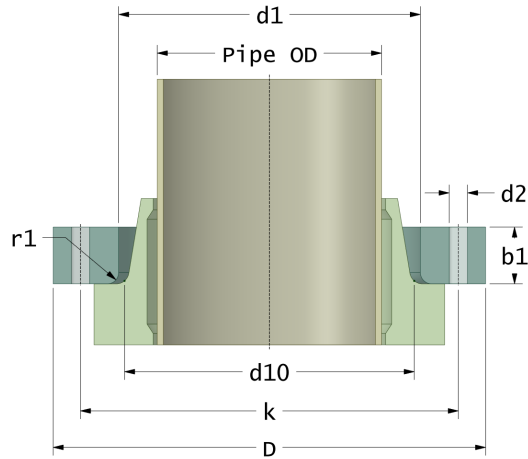
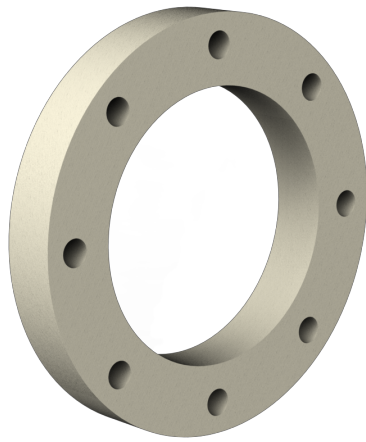
Disclaimer

Whilst every care is taken to ensure that the information on this website is complete and accurate, the Rotec Composite Group BV cannot accept responsibility for any omissions or inaccuracies or for any consequences arising therefrom. By using this website, the user accepts the terms of this disclaimer.

23-08-2023

Backing Rings by Hot Pressing

Drilling Standard: EN1092 PN10, Pipe Type: PE/PP



#	DN (mm)	Pmax (bar)	Pipe OD (mm)	D (mm)	d1 (mm)	d10 (mm)	r1 (mm)	k (mm)	Holes (no.)	d2 (mm)	b1 (mm)	Article Number
51	200	10	200	342	235	232	6	295	8	22	41	BRP-200-235-10/10
52	200	6	225	342	238	235	6	295	8	22	35	BRP-200-238-06/10
53	200	10	225	342	238	235	6	295	8	22	41	BRP-200-238-10/10
54	250	6	250	405	288	285	6	350	12	22	35	BRP-250-288-06/10
55	250	10	250	405	288	285	6	350	12	22	42	BRP-250-288-10/10
56	250	6	280	405	294	291	6	350	12	22	35	BRP-250-294-06/10
57	250	10	280	405	294	291	6	350	12	22	42	BRP-250-294-10/10
58	300	6	315	458	338	335	6	400	12	22	42	BRP-300-338-06/10
59	300	10	315	458	338	335	6	400	12	22	50	BRP-300-338-10/10

Disclaimer

Whilst every care is taken to ensure that the information on this website is complete and accurate, the Rotec Composite Group BV cannot accept responsibility for any omissions or inaccuracies or for any consequences arising therefrom. By using this website, the user accepts the terms of this disclaimer.