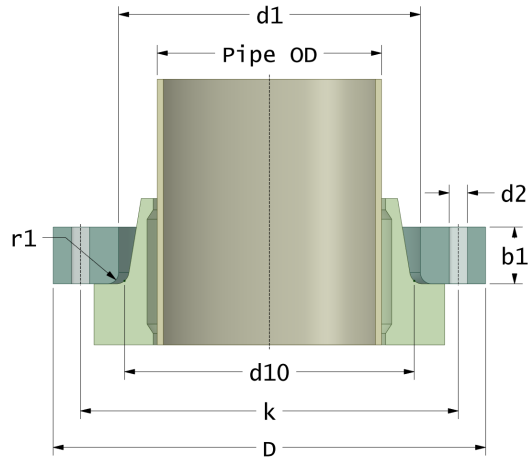
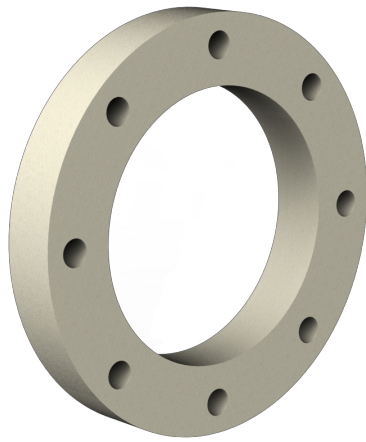


## Backing Rings by Hot Pressing

Drilling Standard: ANSI B16.5 Class 150, Pipe Type: PE/PP



#	DN (mm)	Pmax (bar)	Pipe OD (mm)	D (mm)	d1 (mm)	d10 (mm)	r1 (mm)	k (mm)	Holes (no.)	d2 (mm)	b1 (mm)	Article Number
1	15	16	15	98	23	22	3	60	4	16	15	BRP-15-23-16/150
2	15	16	20	98	28	27	3	60	4	16	15	BRP-15-28-16/150
3	15	16	20	98	32	31	3	60	4	16	15	BRP-15-32-16/150
4	20	16	20	98	28	27	3	70	4	16	15	BRP-20-28-16/150
5	20	16	25	98	34	33	3	70	4	16	15	BRP-20-34-16/150
6	20	16	25	98	38	37	3	70	4	16	15	BRP-20-38-16/150
7	25	16	25	116	34	33	3	79	4	16	15	BRP-25-34-16/150
8	25	16	32	116	42	40	3	79	4	16	15	BRP-25-42-16/150
9	25	16	32	116	48	46	3	79	4	16	15	BRP-25-48-16/150
10	32	16	32	116	42	40	3	89	4	16	16	BRP-32-42-16/150
11	32	16	32	116	48	46	3	89	4	16	16	BRP-32-48-16/150
12	32	16	40	116	51	50	3	89	4	16	16	BRP-32-51-16/150
13	32	16	40	116	55	54	3	89	4	16	16	BRP-32-55-16/150
14	40	16	40	140	51	50	3	98	4	16	18	BRP-40-51-16/150
15	40	16	40	140	55	54	3	98	4	16	18	BRP-40-55-16/150
16	40	16	50	140	62	61	3	98	4	16	18	BRP-40-62-16/150

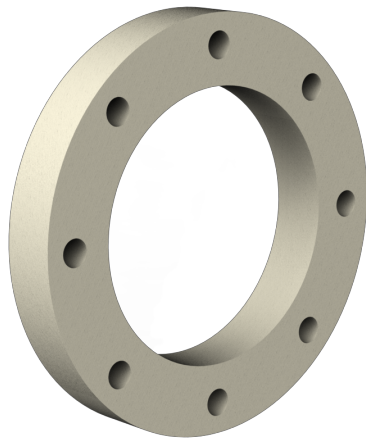
### Disclaimer

Whilst every care is taken to ensure that the information on this website is complete and accurate, the Rotec Composite Group BV cannot accept responsibility for any omissions or inaccuracies or for any consequences arising therefrom. By using this website, the user accepts the terms of this disclaimer.

23-08-2023

## Backing Rings by Hot Pressing

Drilling Standard: ANSI B16.5 Class 150, Pipe Type: PE/PP



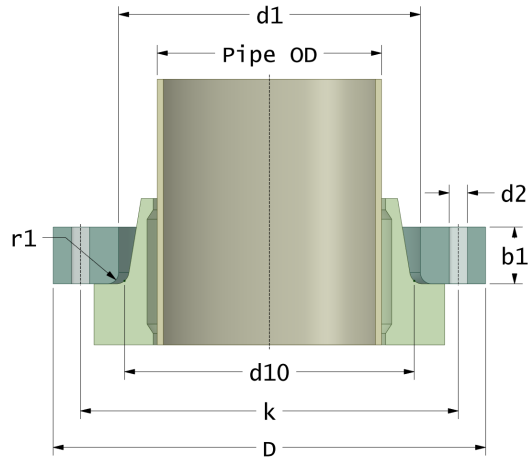
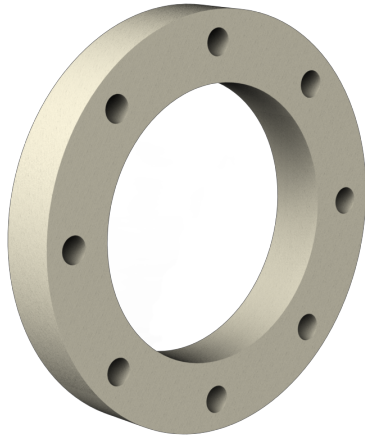
#	DN (mm)	Pmax (bar)	Pipe OD (mm)	D (mm)	d1 (mm)	d10 (mm)	r1 (mm)	k (mm)	Holes (no.)	d2 (mm)	b1 (mm)	Article Number
17	50	16	50	154	62	61	4	121	4	19	18	BRP-50-62-16/150
18	50	16	63	154	69	68	4	121	4	19	18	BRP-50-69-16/150
19	50	16	63	154	78	75	4	121	4	19	18	BRP-50-78-16/150
20	65	16	63	184	78	75	4	140	4	19	20	BRP-65-78-16/150
21	65	16	75	184	82	79	4	140	4	19	20	BRP-65-82-16/150
22	65	16	75	184	92	89	4	140	4	19	20	BRP-65-92-16/150
23	80	10	75	200	92	89	4	152	4	19	23	BRP-80-92-10/150
24	80	16	75	200	92	89	4	152	4	19	28	BRP-80-92-16/150
25	80	10	75	200	97	94	4	152	4	19	23	BRP-80-97-10/150
26	80	16	75	200	97	94	4	152	4	19	28	BRP-80-97-16/150
27	80	10	90	200	108	105	4	152	4	19	23	BRP-80-108-10/150
28	80	16	90	200	108	105	4	152	4	19	28	BRP-80-108-16/150
29	100	10	90	228	108	105	5	190	8	19	25	BRP-100-108-10/150
30	100	16	90	228	108	105	5	190	8	19	30	BRP-100-108-16/150
31	100	10	110	228	124	122	5	190	8	19	25	BRP-100-124-10/150
32	100	16	110	228	124	122	5	190	8	19	30	BRP-100-124-16/150
33	100	10	110	228	128	125	5	190	8	19	25	BRP-100-128-10/150

### Disclaimer

Whilst every care is taken to ensure that the information on this website is complete and accurate, the Rotec Composite Group BV cannot accept responsibility for any omissions or inaccuracies or for any consequences arising therefrom. By using this website, the user accepts the terms of this disclaimer.

## Backing Rings by Hot Pressing

Drilling Standard: ANSI B16.5 Class 150, Pipe Type: PE/PP



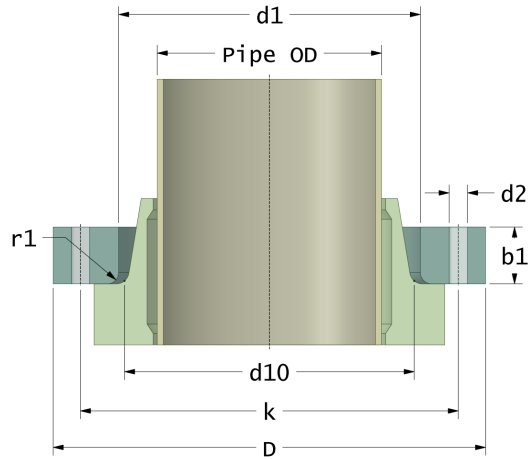
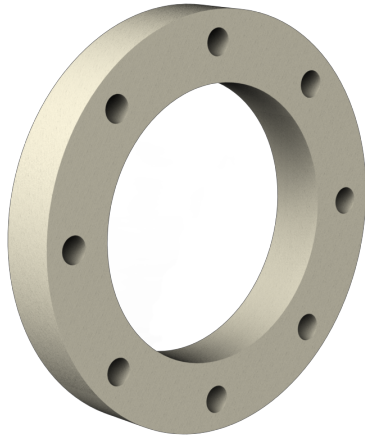
#	DN (mm)	Pmax (bar)	Pipe OD (mm)	D (mm)	d1 (mm)	d10 (mm)	r1 (mm)	k (mm)	Holes (no.)	d2 (mm)	b1 (mm)	Article Number
34	100	16	110	228	128	125	5	190	8	19	30	BRP-100-128-16/150
35	100	10	125	228	134	132	5	190	8	19	25	BRP-100-134-10/150
36	100	16	125	228	134	132	5	190	8	19	30	BRP-100-134-16/150
37	125	10	110	254	124	122	5	216	8	22	28	BRP-125-124-10/150
38	125	16	110	254	124	122	5	216	8	22	34	BRP-125-124-16/150
39	125	10	125	254	134	132	5	216	8	22	28	BRP-125-134-10/150
40	125	16	125	254	134	132	5	216	8	22	34	BRP-125-134-16/150
41	125	10	140	254	158	155	5	216	8	22	28	BRP-125-158-10/150
42	125	16	140	254	158	155	5	216	8	22	34	BRP-125-158-16/150
43	150	10	140	284	158	155	5	241	8	22	34	BRP-150-158-10/150
44	150	16	140	284	158	155	5	241	8	22	40	BRP-150-158-16/150
45	150	10	160	284	178	175	5	241	8	22	34	BRP-150-178-10/150
46	150	16	160	284	178	175	5	241	8	22	40	BRP-150-178-16/150
47	150	10	180	284	189	185	5	241	8	22	34	BRP-150-189-10/150
48	150	16	180	284	189	185	5	241	8	22	40	BRP-150-189-16/150
49	200	6	200	342	235	232	6	298	8	22	35	BRP-200-235-06/150
50	200	10	200	342	235	232	6	298	8	22	41	BRP-200-235-10/150

### Disclaimer

Whilst every care is taken to ensure that the information on this website is complete and accurate, the Rotec Composite Group BV cannot accept responsibility for any omissions or inaccuracies or for any consequences arising therefrom. By using this website, the user accepts the terms of this disclaimer.

## Backing Rings by Hot Pressing

Drilling Standard: ANSI B16.5 Class 150, Pipe Type: PE/PP



#	DN (mm)	Pmax (bar)	Pipe OD (mm)	D (mm)	d1 (mm)	d10 (mm)	r1 (mm)	k (mm)	Holes (no.)	d2 (mm)	b1 (mm)	Article Number
51	200	16	200	342	235	232	6	298	8	22	48	BRP-200-235-16/150
52	200	6	225	342	238	235	6	298	8	22	35	BRP-200-238-06/150
53	200	10	225	342	238	235	6	298	8	22	41	BRP-200-238-10/150
54	200	16	225	342	238	235	6	298	8	22	48	BRP-200-238-16/150
55	250	6	250	405	288	285	6	362	12	26	35	BRP-250-288-06/150
56	250	10	250	405	288	285	6	362	12	26	42	BRP-250-288-10/150
57	250	6	280	405	294	291	6	362	12	26	35	BRP-250-294-06/150
58	250	10	280	405	294	291	6	362	12	26	42	BRP-250-294-10/150
59	300	6	315	485	338	335	6	432	12	26	42	BRP-300-338-06/150
60	300	10	315	485	338	335	6	432	12	26	62	BRP-300-338-10/150

### Disclaimer

Whilst every care is taken to ensure that the information on this website is complete and accurate, the Rotec Composite Group BV cannot accept responsibility for any omissions or inaccuracies or for any consequences arising therefrom. By using this website, the user accepts the terms of this disclaimer.